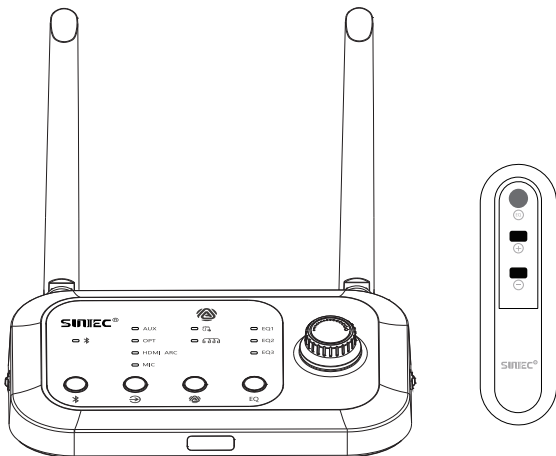


SINIEC®

Feng Jing Sheng Electronics Technology Co., Ltd.

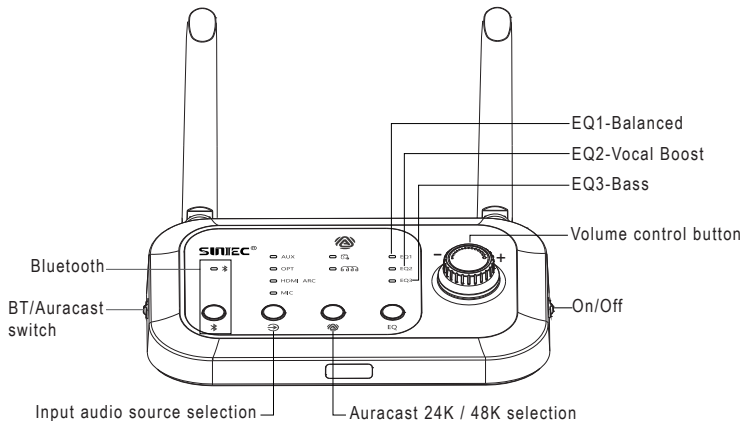
Wireless for living

Auracast & Bluetooth transmitter for TV & PC User Guide

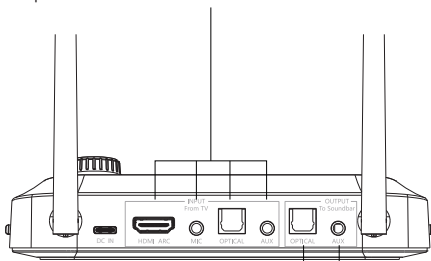


BT618T

OVERVIEW



Input audio source select from HDMI ARC / MIC / OPTICAL / AUX

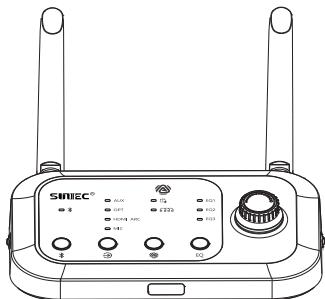


Output audio source (OPTICAL or AUX) to soundbar

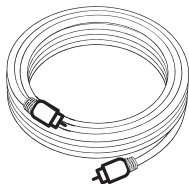
✓ Solid green LED = Working in **Auracast 48Khz mode**
(FOR HEADPHONES, HEADSETS & EARBUDS)

✓ Solid orange LED = Working in **Auracast 24Khz mode**
(FOR HEARING AIDS including all series HEADSETS)

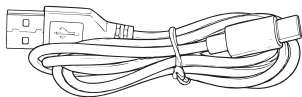
PACKING LIST



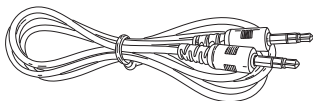
BT618T Bluetooth TV transmitter x 1



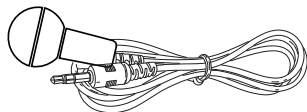
1.5Meter Optical cable x 1



1.5Meter Charging cable x 1



1.5Meter Audio cable



1.5Meter Microphone cable x 1



Charging adapter x 1



User Guide x 1

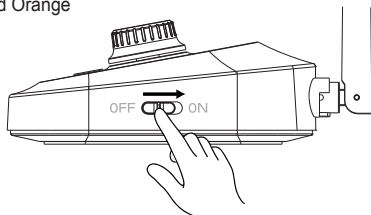
1. TURN ON TRANSMITTER

1.1 Connect BT618T to supply power (5V, 1A~2.4A).

1.2 Slide the power switch to ON. → LED lights at:

OPT / EQ1: Solid White

Auracast 24kHz: Solid Orange



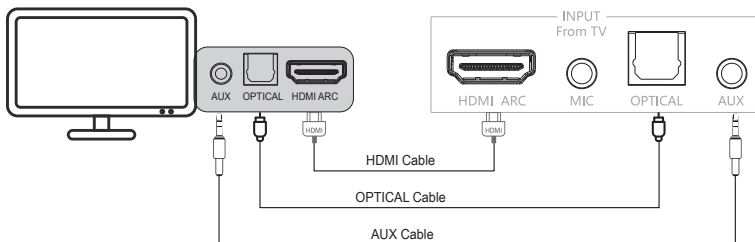
2. CONNECT TO TV

2.1 Choose connection type



2.2 Connect to TV (HDMI ARC /OPTICAL/AUX)

Connect HDMI 2.0 Cable / OPTICAL Cable / AUX Cable



▲ IMPORTANT: Make sure to connect the right cable to the corresponding ports on your TV and device (**HDMI ARC /OPTICAL/MIC/AUX**)

✗ DO NOT WORK with a regular HDMI (OUT) port.

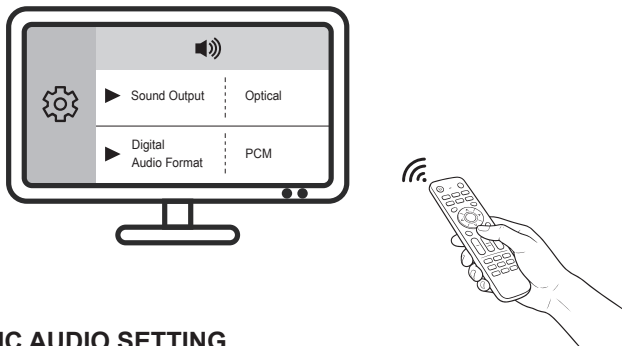
2.3 TV Audio Output Settings

Step 1: Open your TV's settings menu use TV remote

Step 2: look for **Audio/Sound Output Settings**, and change the output from "Internal TV Speaker" to "**HDMI ARC**"

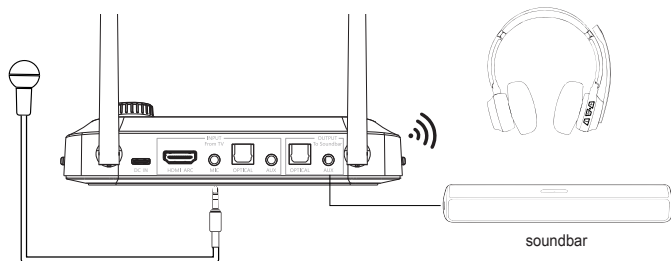
(or "**Optical**" or "**AUX**" depending on your connection).

Step 3: Choose "**PCM**" digital audio format for HDMI ARC & Optical output. Choose others like "Auto" or "Optical" or "Headphones" for AUX output (This setting is different for TV).




3. MIC AUDIO SETTING

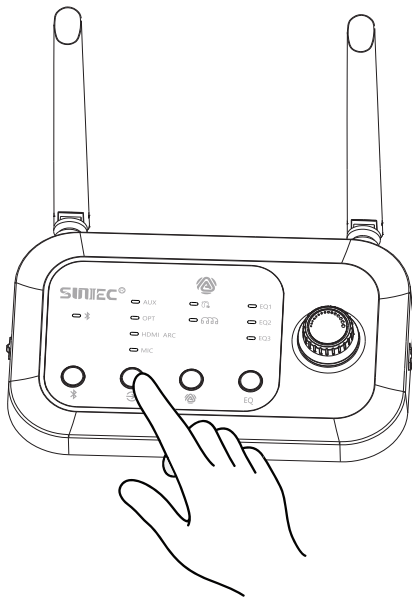
Plug the supplied microphone cable into the MIC input port of the BT618T. It is then ready to transmit your voice/audio to the connected output Receiving audio devices like Soundbar or headphones.



▲ IMPORTANT: To avoid audio stuttering, intermittent sound or compatibility issues we strongly recommend using only the included microphone cable.

4. BT618T INPUT AUDIO SETTINGS

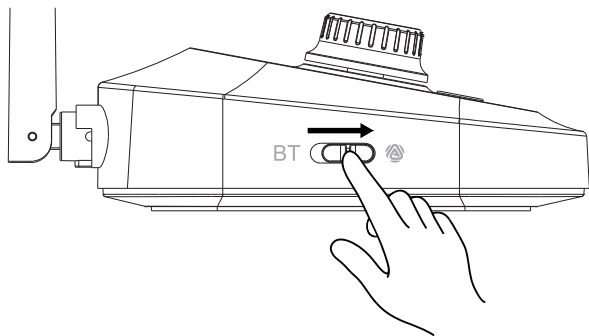
After setting up your TV, short press the  button on the device to cycle through and select the input mode (HDMI ARC/OPTICAL/AUX/MIC) that matches your current audio output.



▲ IMPORTANT : If multiple cables (AUX/OPT/HDMI ARC) are connected simultaneously, check which input indicator is lit on the BT618T, then match your TV's audio output setting to that active signal

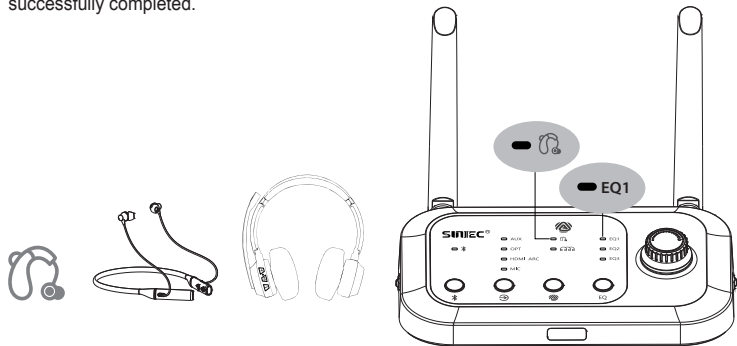
5. CONNECT TO AURACAST HEARING AIDS OR HEADPHONES

5.1 Slide to Auracast mode



5.2 AURACAST Hearing Aids Pairing

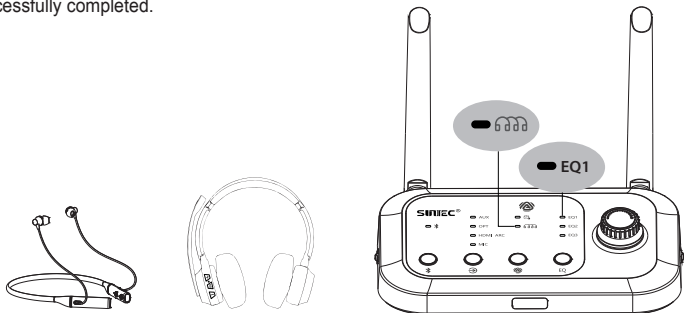
- ① Put your Hearing Aids or Heaphones into Auracast pairing mode
- ② Short press or tap the Auracast button once to switch to the solid Orange LED (Auracast 24KHz mode).
- ③ Keep them as close to the BT618T as possible. Wait for 3-5 seconds until the pairing is successfully completed.



Solid orange LED = Working in Auracast 24Khz mode (FOR HEARING AIDS + all series HEADSETS)

5.3 AURACAST Headphones Pairing

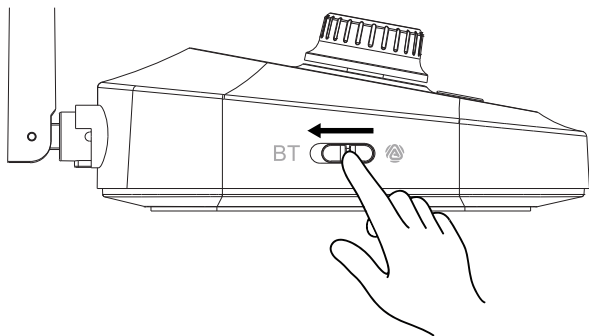
- ① Put your Headphones into Auracast pairing mode
- ② Short press or tap the Auracast button once to switch to the solid Green LED (Auracast 48KHz mode).
- ③ Keep them as close to the BT618T as possible. Wait for 3-5 seconds until the pairing is successfully completed.



Solid green LED = Working in Auracast 48KHz mode (FOR HEADPHONES, HEADSETS & EARBUDS)

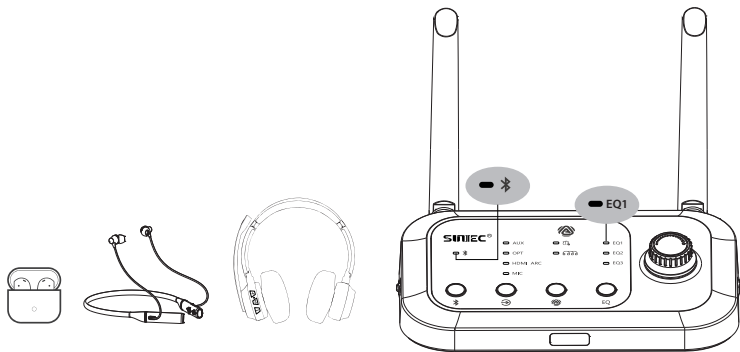
6. CONNECT TO BLUETOOTH HEADPHONES

6.1 Slide to Bluetooth mode



6.2 Bluetooth Headphone Pairing

- ① Put your Headphones into Bluetooth pairing mode
- ② Press and hold Bluetooth button for 3s until bluetooth LED blinks red and blue alternately.
- ③ Keep them as close to the BT618T as possible. Wait for 3-5 seconds until the Bluetooth LED turns solid blue indicating a successful pairing.

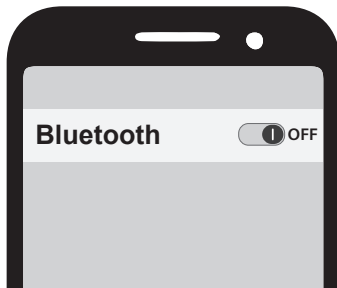


NOTE: Double click Bluetooth button to return factory default setting.

6.3 Disable Phone Bluetooth

90% of connection failures happen when Bluetooth on your phone is still ON.

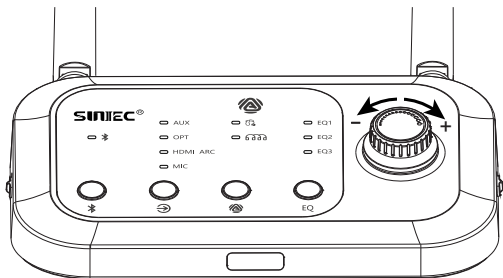
Turn OFF Bluetooth on any previously connected device (like your phone) before pairing.



7. ADJUST VOLUME

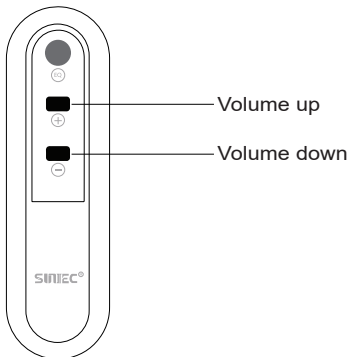
7.1 Using the BT618T Volume Knob:

Turn the knob clockwise (right) to increase the volume, or counter-clockwise (left) to decrease it.



7.2 Using the Remote Control:

Press the center button to increase the volume, and press the third button to decrease it.



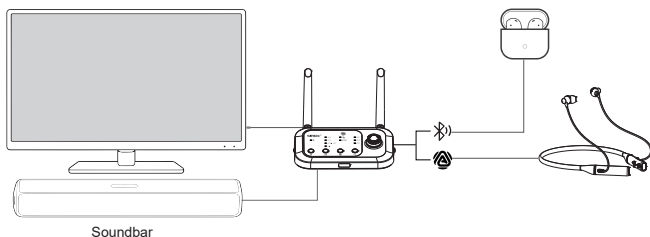
Note: Remote operation range up to 7meters.

8. CONNECTING TO A SOUNDBAR (BYPASS MODE)

8.1 Connect your Soundbar or speaker to the Output / Bypass port of the BT618T. Use the same connection type for both TV and soundbar

(Optical ↔ Optical, or AUX ↔ AUX)

2. TV sound plays on your soundbar and **Bluetooth** headphones or **Auracast** headphones at the same time.



9. LED INDICATORS

① Bluetooth LED:

Solid = Connected

Blinks red & blue = Pairing

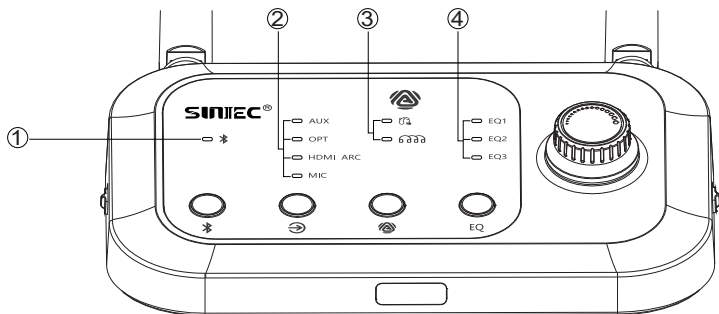
Blinks red & red same time = Return factory setting

② LED AUX / OPT / HDMI ARC / MIC: **Solid = Valid** audio signal

③ Solid Orange = Auracast 24Khz (**Hearing aids + all Headsets**)

Solid Green = Auracast 48Khz (All Headsets)

④ EQ1 / EQ2 / EQ3: **Solid** sound effects



10. TECHNICAL SPECS

Bluetooth version	V5.4, QCC Chipset
Audio Technologies	Bluetooth Class 1 & Auracast LE Audio
Auracast Modes	24KHz & 48KHz
Operation range	Up to 100 meters (open area)
Operation temperature	-20°C to 70°C
Bluetooth frequency	2.402-2.480GHz
Audio Codecs	aptX / aptX-HD / aptX-Adaptive / AAC / SBC / LC3
Bluetooth profile	A2DP / AVRCP / HFP / HSP / PBAP / SPP / GATT
Charging input	DC5.0V/2A
Charging time	Approx.3 hours

11. Declaration of Conformity

The company Sunitec Electronics HK Limited, declares that products BT618T complies with the essential requirement of the 2014/53/EU

The declaration of conformity in complete form is available at the headquarters of Sunitec Electronics HK Limited.

Product sold in the US and Product sold in the European community.

Manufactured by Sunitec Electronics HK Limited.


MADE IN CHINA

For FAQs and more information, please visit:



Web : www.sunitec.net

 : support@sunitec.net

 : +86-755-23770959/23770969

SUNITEC[®]
Fang Jing Sheng Electronics Technology Co., Ltd.

Wireless for Living

**AURACAST & BLUETOOTH
TRANSMITTER FOR TV & PC
MODEL: BT618T**